



EM-DVR2116NSHL

16 CH Hybrid DVR

DECODERS



HD Output



DDNS



Network



PTZ



Audio



MIC



Mobile



CMS



USB



Mouse



E-mail

The series of product can connect analog and IP cameras simultaneously, which adopts the standard H.265 high profile compression format and the advanced SOC technique to ensure real time recording in each channel and realize outstanding robustness of the system.

This series supports 16 CH video input, 1 CH audio input, simultaneous 16 CH playback.

The series of product can meet different security requirements of home, financial, commerce, enterprise, transportation and government, etc.

EYEMOTION by Electronic's Time

Indirizzo: via MadonnaPiccola 32 Q-R , 74015 Martina Franca
 Provincia: Taranto, ITALIA - P.iva 01893060739

Centralino: +39-080-4802711

Web site: <http://www.eyemotion.it>

E-mail: info@eyemotion.it

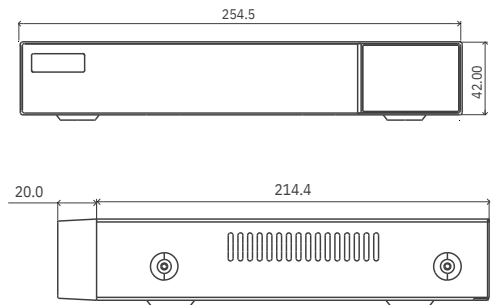
SPECIFICATIONS

Model		EM-DVR2116NSHL
System	OS	Embedded Linux
Video	Analog Video Input	BNC ×16
		BNC interface (1.0Vp-p; 75 Ω)
		TVI/AHD/CVI:1080P/1080P Lite/720P/720P Lite/WD1 2CH
	IP Video Input	(up to 18CH)
		Up to 5MP@25fps
	Total Input	18CH
	Output	HDMI × 1 :1920 × 1080 / 1280 × 1024 / 1024 × 768 VGA × 1 : 1920 × 1080 / 1280 × 1024 / 1024 × 768 BNC × 1: CVBS(used as the main or spot output)
Compression	H.264/H.265	
Multi-screen Display	1/4/6/8/9/13/16/25	
Audio	Input	RCA ×1
	Output	RCA × 1 (linear, 600Ω)
	Two-way audio	Take up channel one audio input G.711(U/A)
	Compression	1080P Lite/720P/720P Lite/WD1
Record	Resolution	Analog Channel: 1080P Lite/720P/WD1: 25fps (PAL)/30fps (NTSC) (only CH 1 supports) 1080P Lite/720P/WD1: 12fps (PAL)/15fps (NTSC) (other channels support) 720P Lite: 25fps(PAL) / 30fps (NTSC) IP Channel: 25fps(PAL) / 30fps (NTSC)
	Frame Rate	
	Bit Rate	32Kbps ~ 4Mbps 16CH
Playback	Playback	Time slice / time / event / tag search
	Search	Highlight colors to display the camera record in a certain period of time, different colors refer to different record events
	Smart Search	Play, pause, FF, FB, digital zoom, etc.
	Function	Manual, motion, exception, smart event
Alarm	Mode	No No RJ 45 100Mbps × 1
	Input	TCP / IP, IPv4, IPv6, PPPoE, DHCP, DNS, DDNS, UPnP, HTTP, HTTPS, 802.1x, FTP, RTP, RTSP, RTCP, NTP, SMTP, UDP, Websocket, SNMP, IGMP
	Output	16Mbps(max. 80Mbps)
Network	Interface	
	Protocol	
	Incoming Bandwidth	
	Outgoing Bandwidth	80Mbps
	Client Connection	Max.10 users access
MobileDevice	OS	iOS, Andriod
Storage	HDD	SATA× 1, up to 8TB
Backup	Local Backup	U disk, USB mobile HDD
	Network Backup	Yes
Port	RS 485	No
	USB	USB 2.0 × 2
	Remote Controller	Optional
Others	Power Supply	DC12V /2A
	Consumption	≤ 10W (without HDD)
	Dimensions(mm)	255 × 234 × 42 (W × D × H)
	Working Environment	-10~50°C, 10%~90% (humidity)
	Certificate	CE, FCC
	Environment Protection	Directive EU RoHS, WEEE, REACH

FEATURES

- 16 CH TVI / AHD/CVI 1080P / 1080PLite/720P/720P Lite/WD1 video input
- 16 CH DVR supports 2CH 5MP / 4MP / 3MP / 1080P / 960P / 720P IP video input by default
- 16CH analog video input can be switched to 16CH IP video input
- H.265/H.264 coding
- Intuitive and user-friendly Graphics User Interface (GUI), window style operation by mouse
- Multi-mode recording: manual / timed / motion / AI recording
- Playback : 16 CH simultaneously playback
- Search: time slice, time, event, tag search
- Express and flexible backup via USB, network and so on
- Pentaplex: preview, record, playback, backup and remote access
- DHCP, DDNS, PPPoE network protocol
- Remote control via Web or CMS : preview, playback, backup, PTZ and configuration
- Support remote network transmission and remote surveillance with mobile device
- Authorization management, log review and device status review
- Support 1080P output, true high resolution display
- Support PTZ preset and auto cruise, up to 255 presets and 8 cruises
- Support NAT function and QRCode scanning by mobile phones
- Powerful mobile surveillance by smart phones with iOS and Android OS

DIMENSIONS



Rear Panel

EM-DVR2116NSHL

