

NDAA



## EM-C8165PE

- ▶ NDAA Compliance (I prodotti completamente conformi NDAA sono adatti per il governo, la difesa e una serie di progetti soggetti alla NDAA.)
- ▶ 120dB Super WDR (Prestazioni eccellenti anche quando il rapporto di luminosità dei più brillanti e scuri è fino a 120dB.)
- ▶ Funzioni avanzate (che vanta di supportare varie funzioni avanzate come HLC, ROI.)
- ▶ 256G (Supporto ultra-large microSD/ SDHC/ SDXC scheda di archiviazione esterna fino a 256G.)
- ▶ Staffa a 3 assi regolabile (fornisce una robusta piattaforma di montaggio per la regolazione dell'angolo su un piano a 3 assi.)
- ▶ Smart Stream (Larghezza di banda, archiviazione e bit rate vengono salvati con Smart Stream On, ad esempio, H.265+ consente di risparmiare 70% ~ 80% larghezza di banda che ofH.264.)

IP67 + IK10

## AI 180° Panoramic

### AI Video Analytics

- 8 intelligent VCA modes powered by AI engine, which can intelligently filter objects to focus on human and vehicle detection.
- People Counting technology provides high accuracy and real-time data based on AI algorithm with statistic reports.



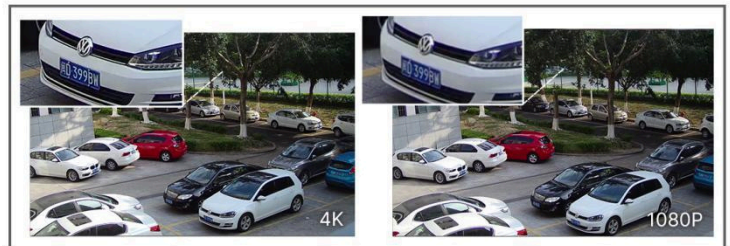
### 180° Panoramic View

The camera is perfect for whole picture viewing experience. It catches 180° horizontal coverage and 95° vertical coverage, achieving 180° panoramic viewing with only single sensor, which is a revolutionary creation in the bullet model.



### 4K Video Viewing Experience

The camera performs well in catching detailed image with 4K HD resolution regardless of the moving speed.



### Integrated Junction Box

The well-designed Integrated Junction Box ensures efficient and simple installation. It enlarges the space to make cable connection neat and easy. With the help of IP67-rated weather-proof design and Point-contact Power Supply, the Integrated Junction Box is able to offer stable operation and supreme user-experience.



EYEMOTION by Electronic's Time

Indirizzo: via MadonnaPiccola 32 Q-R , 74015 Martina Franca  
 Provincia: Taranto, ITALIA - P.iva 01893060739

Per ulteriori informazioni, visitare il nostro sito web: [www.eyemotion.it](http://www.eyemotion.it)

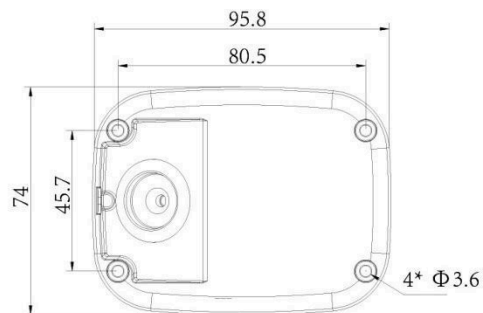
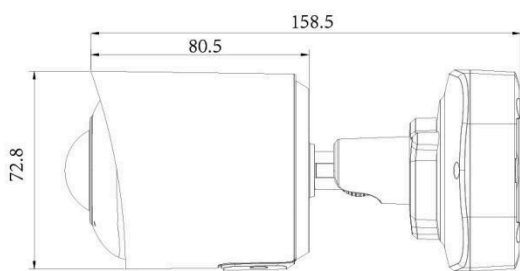
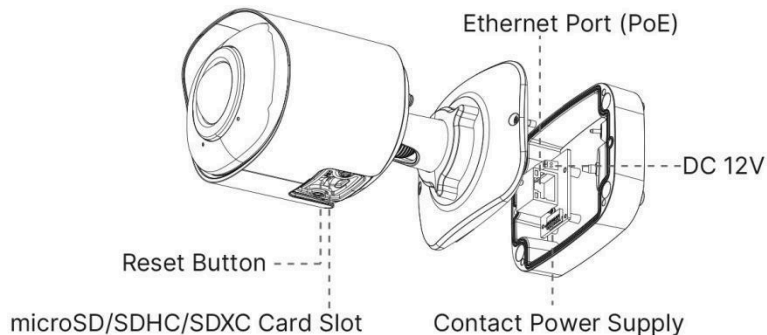
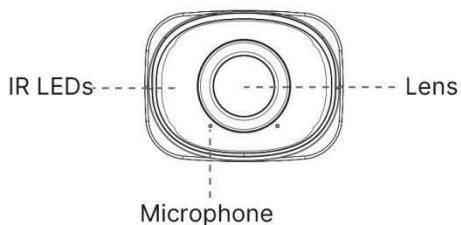
Centralino: +39-080-4802711

Web site: <http://www.eyemotion.it>

E-mail: [info@eyemotion.it](mailto:info@eyemotion.it)

	Model	MS-C8165-PE (4K)
<b>Camera</b>	Image Sensor	1/2.8" Progressive Scan CMOS
	Min. Illumination	Color:0.012Lux@F2.0 B/W:0LuxwithIRon
	WDR	120dB Super WDR
	Lens	1.68mm@F2.0
	Mount	M12
	Field of View	H180°/V86°
	Shutter Time	1/100 000 s~1 s
	IR Distance	Up to 15m
	Day/Night Mode	Day/Night/Auto/Customize/Schedule
	S/N	>55 dB
<b>Video</b>	Max. Image Resolution	3840x2160
	Primary Stream	60Hz/50Hz:25fps@(3840x2160,3440x1936, 3200x1800,2880x1624,2560x1440, 1920x1080,1280x720)
	Secondary Stream	60Hz/50Hz:25fps@(704x576,640x480, 640x360)
	Tertiary Stream	60Hz/50Hz:25fps@(1280x720,704x576, 640x480,640x360)
	Video Compression	H.265+/H.265(HEVC)/H.264+/H.264/MJPEG
	Video Bit Rate	16Kbps~16Mbps(CBR/VBR Adjustable)
	Privacy Masking	Up to 8 Areas (Mask Area and Mosaic Area are optional)
	ROI	Up to 8 areas
	Image Setting	Brightness/Contrast/Saturation/Sharpness
<b>Interface</b>	Ethernet	1*RJ45 10M/100M Ethernet Port
	Audio Interface	Built-in Microphone
<b>Network</b>	Network Storage	NAS(Support NFS, SMB/CIFS), ANR
	Protocol	IPv4/IPv6, ARP, TCP, UDP, RTCP, RTP, RTSP, RTMP, HTTP, HTTPS, DNS, DDNS, DHCP, FTP, NTP, SMTP, SNMP, UPnP, Bonjour, SIP, PPPoE, VLAN, 802.1x, QoS, IGMP, ICMP, SSL
<b>Audio</b>	Audio Compression	G.711/AAC/G.722/G.726
	Audio Sampling Rate	8/16/32 /44.1 /48K Hz
	Audio Bit Rate	16~256kbps
	Two-way Audio	N/A

<b>Intelligent Analytics</b>	Video Analysis	Region Entrance, Region Exiting, Advanced Motion Detection, Tamper Detection, Line Crossing, Loitering, Object Left, Object Removed
	People Counting& Report	Count the number of people entering or exiting, up to 4 detection areas for regional people counting
<b>System</b>	Storage	Support microSD/SDHC/SDXC Card Local Storage, up to 256G
	Advanced Function	Heat Map, BLC, HLC, 2D DNR, 3D DNR, Defog, AWB, IP Address Filtering, AGC, Anti-flicker, Corridor Mode, Deblur, Watermark
	SIP/VoIP Support	Yes, Voice & Video-over-IP
	Event Trigger	Motion Detection, Network Disconnection, Audio Alarm, etc.
	Event Action	FTP Upload, SMTP Upload, SD Card Record, SIP Phone, HTTP Notification, etc.
	System Compatibility	ONVIF Profile G & Q & S & T, API
<b>General</b>	Working Temperature	-40°C~60 °C
	Working Humidity	0~95%(Non-condensing)
	Power Supply	PoE (802.3af) / DC 12V±10%
	Power Consumption	7W MAX
		9W MAX (With IR on)
	Weather Proof	Up to IP67-rated for Weather-resistant Performance
	Housing	Vandal-proof IK10-rated Metal Housing
	Weight	630g
	Dimensions	95.8mmX74mmX158.5mm
Warranty	3/5 Years	



Units: mm

### Accessories Support

A01 Pole Mount

Weight: 720g  
Dimensions: 170\*51.5\*152.6mm



A03 External Corner Bracket

Weight: 900g  
Dimensions: 170\*152.5\*76.3mm



