



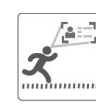
HDR



4MP



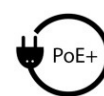
VCA



Smart tracking



Perimeter



DC24V/PoE+



IP67



350m



## Application:

Wide range area intrusion, perimeter protection and alarm, such as parks, scenic spots, stations and venues, industrial park.

## Key Spec:

- Ultra fast rotation and tracking speed, dual belts for longer life.
- Excellent low light performance
- Super long IR supplement light distance
- Deep-learning engine, support human/vehicles detection, auto-tracking
- P66/IK10/6KV Strong protection, 7x24 Hours outdoor harsh weather
- Stable supply-chain, long product life circle
- Confirms to data protection regulations of major countries.

# EM-TD8543IE3N

4MP 40X IR Network Speed PTZ Camera

## System

TD-8543IE3N(PE/40M/AR35), the 3rd generation of AI PTZ camera which adopts a powerful 40x optical zoom lens, and latest sensor, could deliver 2560x1440@30fps image details over a large open area. The PTZ has a high AI computing engine which can detect max 17 objects per scene and classify human/vehicles within 720m distance. When any of them intrude restricted area, the camera will trace, zoom fit in center of screen, snap and record and trigger alert until object disappeared. Comparing to last Gen, we has revised its gimbal system and improved rotation speed and tilt range for this PTZ camera, applying to longer and faster smarttracking.

It could bring up vivid color image in most areas. Even in the pitch black environment, it could capture human behaviors up to 350m, at a court evidence level. The PTZ has H.265 video compression which reduces bit rate down to 50% of H.264 without loss.

And it conforms to the ONVIF, ensuring interoperability between surveillance video products regardless of manufacturers. The PTZ confirms to most security regulation and data protection policy. With excellent picture quality and strong protection, the camera could meet the demand of 7x24Hour working in harsh weather.

**EYEMOTION** by Electronic's Time srl

Indirizzo: via MadonnaPiccola 32 Q-R , 74015 Martina Franca

Provincia: Taranto, ITALIA

Per ulteriori informazioni, visitare il nostro sito web: [www.eyemotion.it](http://www.eyemotion.it)

Centralino: +39-080-4802711

Web site: <http://www.eyemotion.it>

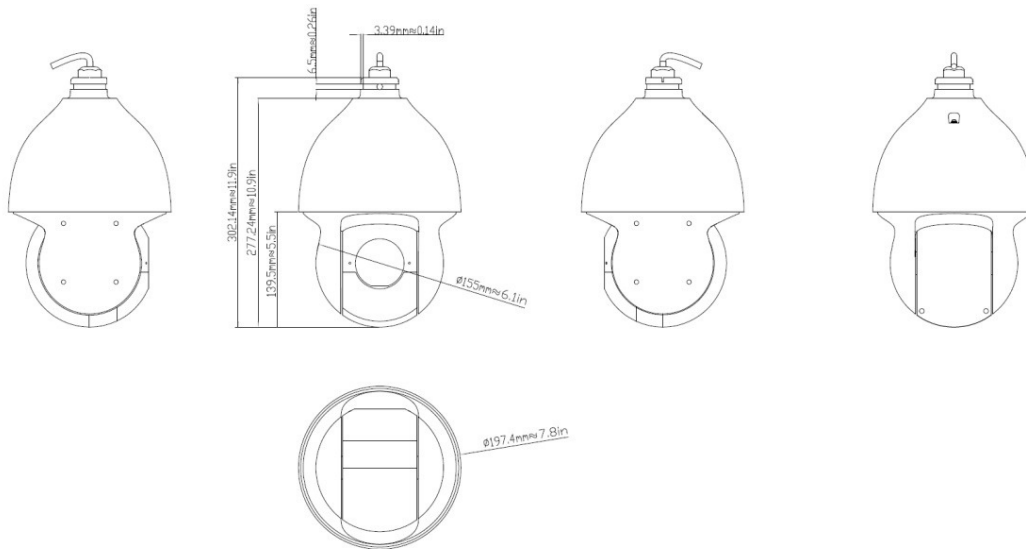
E-mail: [info@eyemotion.it](mailto:info@eyemotion.it)

## SPECIFICATION:

Camera Module					
Image sensor	1/2.8" progressive scan CMOS image sensor, with BSI and NIR++,Dual Gain				
Max resolution	2560x1440				
Mini. Illumination	Color:0.005 Lux @(F1.2AGC ON)B/W:0.001Lux @(F1.2AGC ON);0Lux with IR				
Image setting	Flip, Mirror, Saturation, Brightness, Contrast, Sharpness, AGC, etc. adjusted by client				
Shutter Speed	60Hz: 1/30s – 1/30,000s@30fps;50Hz:1/25s~1/25,000s@25fps				
White Balance	Auto/Manual/Indoor/Outdoor				
Gain control	Auto/Manual				
Day & Night control	Auto/Manual ,time schedule.				
Iris control	Auto/Manual				
SNR	≥52dB				
3D DNR	Auto/Manual				
AE Enhancement	BLC, HLC, DWDR				
Digital Zoom	16X				
Electronical Stabilizer	N/A for this version				
Privacy Mask	4 areas, up to 8 mask per request.				
Picture overlay	Logo picture could be overlaid on video with 128x128pixels,24bits format				
OSD overlay	Max 15 characters/line, 8 lines, white or red font color				
Lens					
Focus length	f=4.5-180mm lens,40x optical zoom				
Zoom Speed	Approx. 5.2s (optical zoom, wide-tele)				
Field of View	H: 59.1° ~1.8°; V: 38.4° ~ 1.1° ; D: 68.9° ~ 2.1° (wide-tele) ±5%				
Image distance	Wide: 1.0m ~ INF; tele: 1.5m ~ INF				
Aperture Range	Max F1.2				
Iris Type	DC_IRIS				
IRCut type	Removable IRCut filter				
DORI distance	Focus length	Detect	Observe	Recognize	Identify
	f=4.5mm	99.6m(326.8 f.t.)	39.5m(129.7 f.t.)	19.9m(65.4 f.t.)	10m(32.7 f.t.)
	f=180mm	3600m(8126.6f.t.)	1429m(3250.7 f.t.)	720m(1625.3f.t.)	360m(812.7 f.t.)
PTZ					
Pan Range	360°endless				
Pan speed	Configurable, from 0.1~390°/s; Preset speed: 420°/s				
Tilt Range	From -25° to 155°,auto flip at 90°				
Tilt Speed	Configurable, from 0.1°~270°/s, Preset speed: 300°/s				
Proportional Zoom	Yes				
Preset	360				
Cruise	8 cruises, up to 16 presets for each cruises				
Trace	4 traces, record time over 3 minutes for each trace				
Power off memory	Support				
Action mode	Preset/Cruise/Trace/Auto Scan/Random Scan				
3D Positioning	Support				
PTZ Position Display	Support				
Schedule Task	Preset/Cruise/Trace/Random Scan/Boundary Scanning /Dome reboot/ De-frost/Water Removal				
IR					
IR Distance	350m (1148 f.t.) ,850nm				
Smart IR	IR Yes				
Network					
Main stream	50Hz: 25fps: 2560x1440,1920x1080,1280x960,1280x720; 60Hz: 30fps: 2560x1440,1920x1080,1280x960,1280x720				
Sub stream	50Hz: 25fps (704 × 576, 640 × 480, 352 × 288); 60Hz: 30fps (704 × 480, 640 × 480, 352 × 240)				

Third Stream	50Hz:25fps (1920 × 1080, 1280 × 960, 1280 × 720, 704 × 576, 640 × 480, 352 × 288) 60Hz:30fps (1920 × 1080, 1280 × 960, 1280 × 720, 704 × 480, 640 × 480, 352 × 240)
Video compression	H.265+/H.265/H.264+/H.264/MJPEG
H.264 Standard	H.264/AVC codec BP/MP/HP, Level 5.1
H.265 Standard	H.265/HEVC codec MP, level 5.0
Video Bit Rate	64 Kbps to 16Mbps
Audio compression	G.711 A/U
Audio Bit Rate	64K bps
Protocols	HTTP, HTTPS, IPv4/IPv6, 802.1x, QoS, FTP, SMTP, UPnP, SNMP, DNS, DDNS, NTP, RTSP, RTCP, RTP, TCP/IP, UDP, DHCP, PPPoE, P2P
User / Host	Up to 16 users, 3 levels: Administrator, Advanced User and Normal User
Security Measures	User authentication (ID and PW), Host authentication (MAC address); HTTPS encryption, IEEE802.1x port-based network access control; IP address filtering
API	ONVIF A/G/Q/S/T, support TVT SDK and third-party management platform
Client	TVT N9000 1.4.7, TVT NVMS 2.0; and the third-party client, free iOS and Android App
Web Browser	IE8-11 with plug-in; Edge, Chrome, Firefox with plugin free
<b>Smart Features</b>	
Basic event	Motion detection, Video tampering alarm, Exception(Network disconnected, IP address conflict, SD full, SD error)
Face recognize	Face detection & capturing, Max 17faces per scene.
Road traffic	Vehicle detecting and tracking
Smart Detection	Tripwire, Bi-directional tripwire, Illegal intrusion detection, Region entrance detection, Region exiting detection, etc. More VCA per request.
Smart Tracking	support smart tracking of human or vehicle, manual/auto
<b>System Integration</b>	
Alarm Interface	1 Alarm input(Dry contact); 1 Alarm output
Audio Interface	1 audio input, line level, 2.0-2.4Vpp, impedance 1KΩ; 1 audio output, line level, impedance, 600Ω
Alarm Linkage	Alarm actions, such as Preset, Cruise, Trace, Memory Card Video Record, Trigger Recording, Notify Surveillance Center, Upload to FTP/Memory Card, Send Email, etc.
Network Interface	1 RJ45 10M/100M Adaptive Ethernet
SD Card Slot	One MicroSD slot and chamber, up to 256G
Built-in Speaker & Mic	N/A
RS485	N/A
BNC	N/A
Reset button	Yes
Electric Heater & Fan	Yes
Water removal	Remove water-drops by quick spinning(5.1.2 and later)
Frost and fog removal	Active electric heating and air loop
<b>General</b>	
languages	Czech; English, German; Hungarian; Italian; Japanese; Korean; Portuguese, Polish; Russian, Romanian, Spanish; Spanish(Mexico); Simplified Chinese; Turkish; Traditional Chinese. Etc.
Power supply	DC24V±25% ,PoE+ (802.3.at,type 2), max 23.5W include IR ON+PTZ working
Working condition	-40°C~70°C (-40°F ~ 158°F), IR off; -40°C~50°C, IR on; Cold start>= -30°C(0.5-1hour waiting); 90%RH
Storage condition	-40°C ~ 70°C ; ≤ 95% RH
Protection	6000V Lightning Protection, Surge Protection and Voltage Transient Protection
Material	Aluminum Alloy (ADC12); Polymer (PC+GF15%)
Dimensions	Φ 302mm × 197mm (Φ11.9inch × 7.75 inch)
Net Weight	Approx. 3.0 Kg (6.61 lb.)
Certification	IP66,IK10(excluding glass window), ROHS, CE, FC, KC, BIS, UKCA
Rotation Life	At least 10 millions times

### Dimensions(mm/inch):



### Accessories:



ET-YZJ0808  
Wall mounting bracket



ET-YZJ0808+ET-YZJ0501  
Pole mounting bracket



ET-YZJ0808+ET-YZJ0601  
Corner mounting bracket



ET-YZJ0807  
Pendant mounting bracket



ET-YZJ0305  
Wall mounting bracket  
(Not recommend for new project)



ET-YZJ0305+YZJ0501  
Pole mounting bracket  
(Not recommend for new project)



ET-YZJ0305+YZJ0601  
Corner mounting bracket  
(Not recommend for new project)



ET-YZJ0311  
Wall mounting bracket  
with junction box



ET-YZJ0312  
Pole mounting bracket  
with junction box



ET-YZJ0313  
Corner mounting bracket  
with junction box



ET-K23  
PTZ Network Keyboard